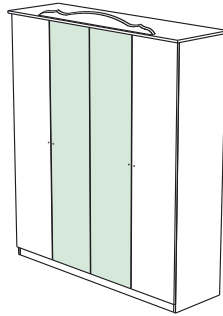


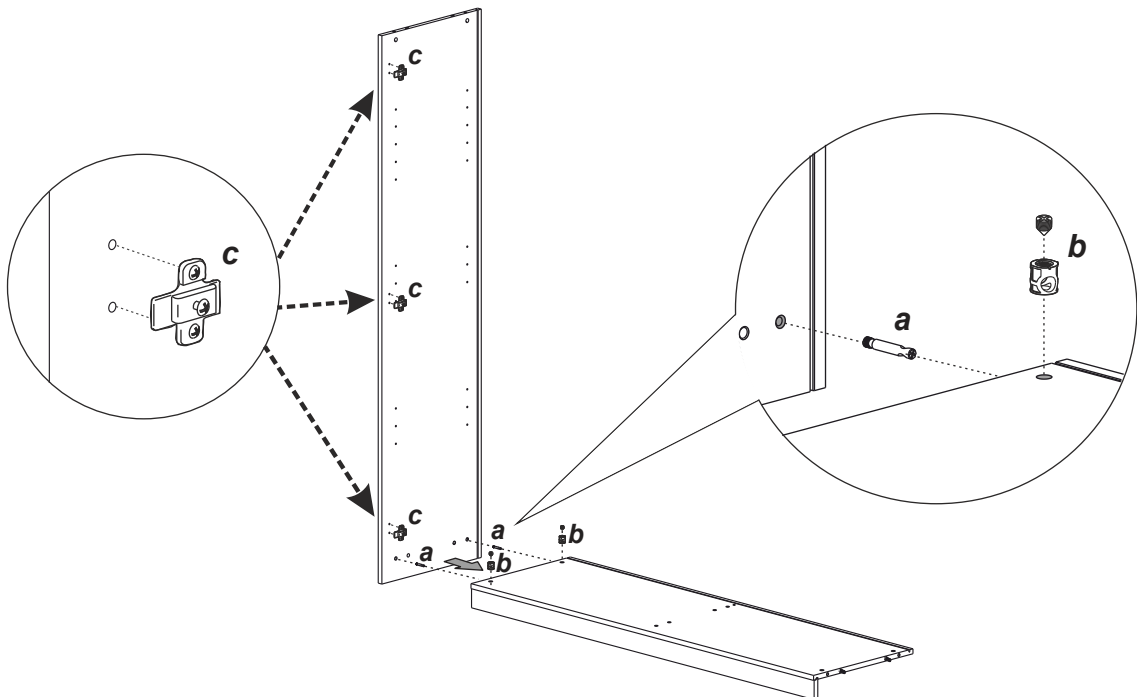
# BAROCCO - MODA TREND - LUXOR LEONARDO

## 4 DOOR WARDROBE

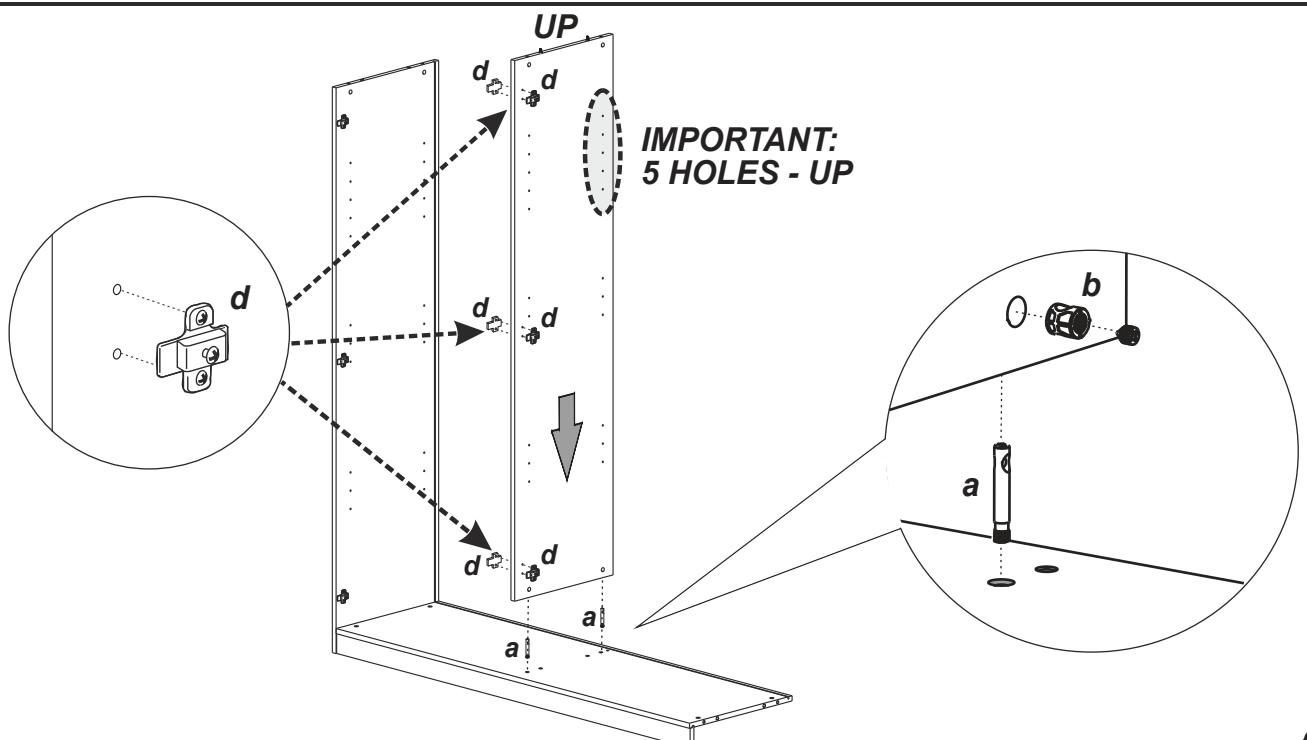


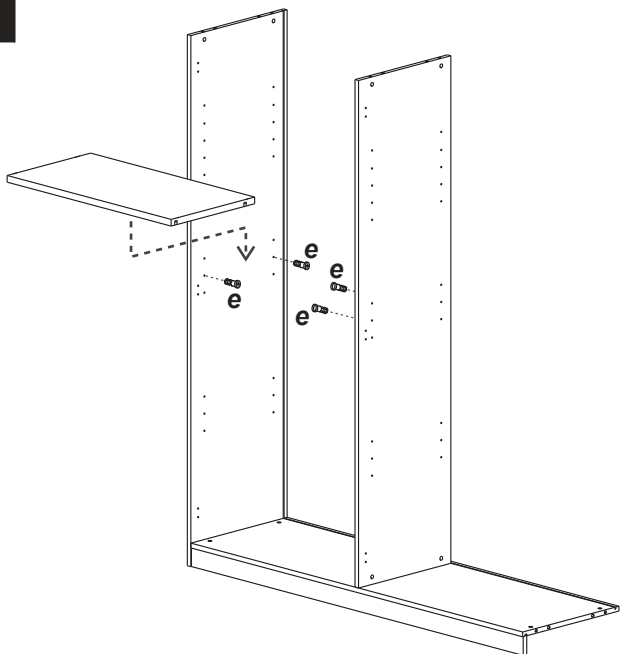
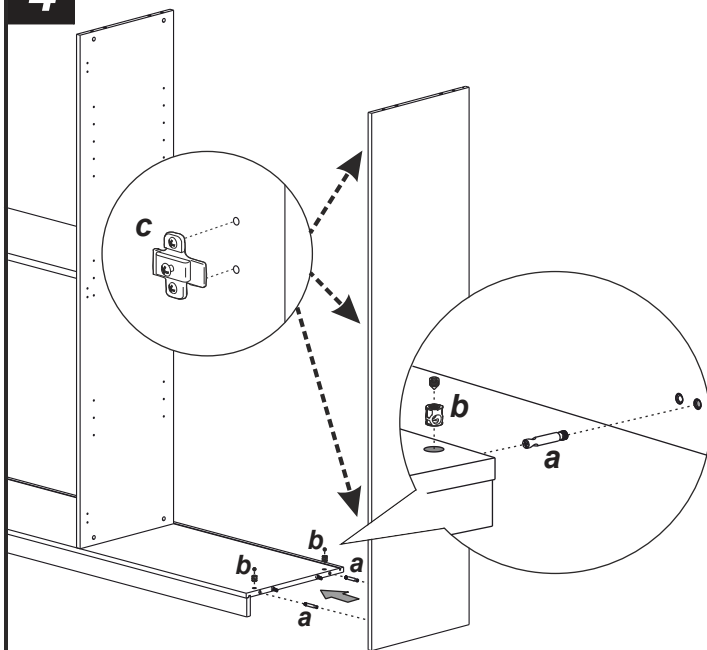
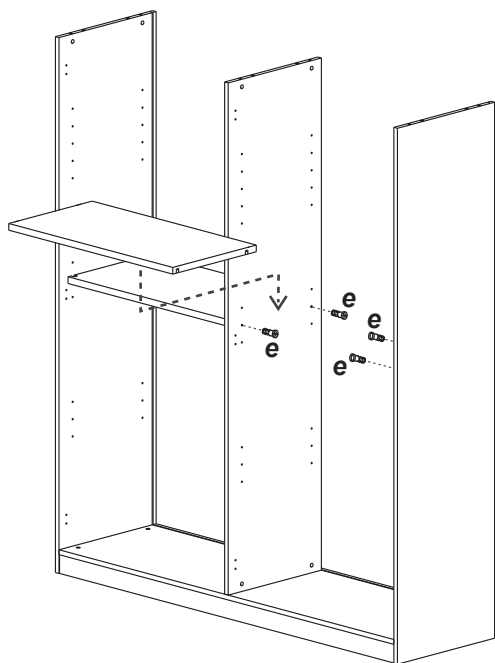
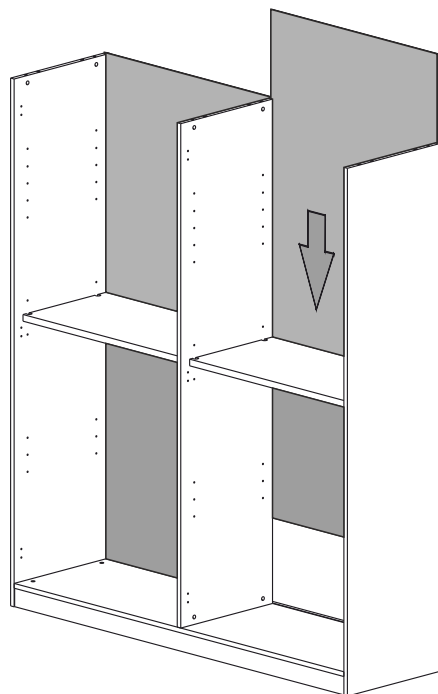
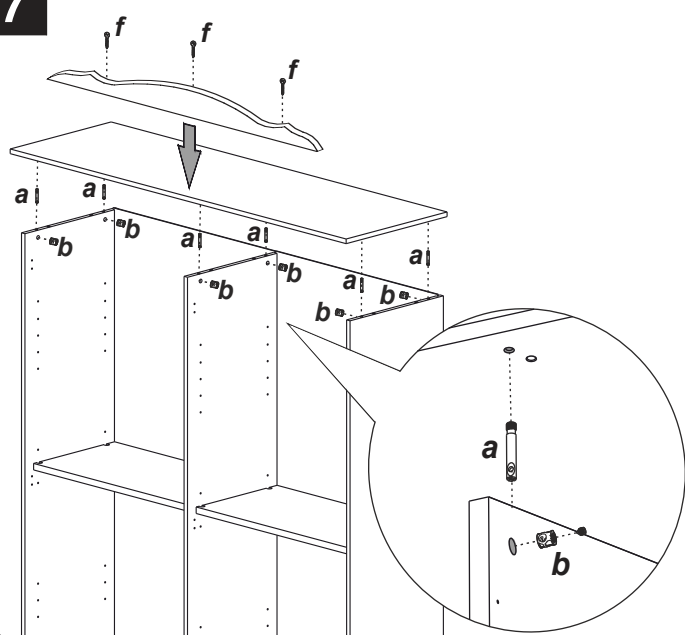
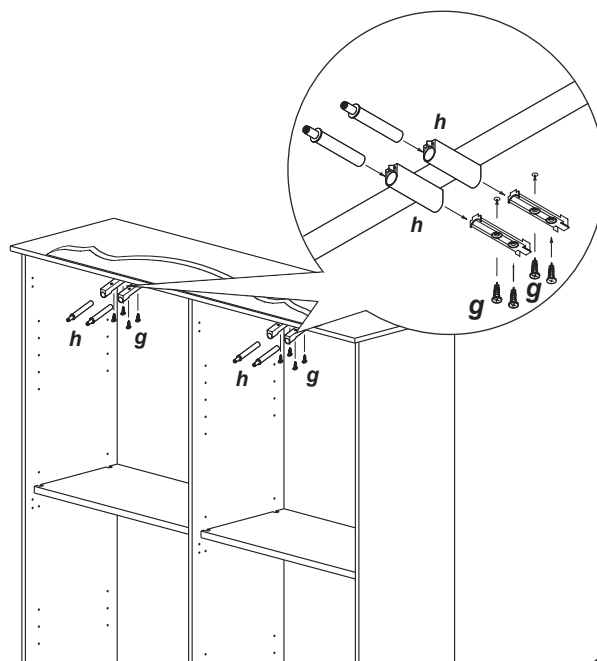
<b>a</b>	<b>b</b>	<b>c</b>	<b>d</b>
<b>e</b>	<b>f</b>	<b>g</b>	<b>h</b>
<b>m</b>	<b>n</b>	<b>p</b>	<b>q</b>

1

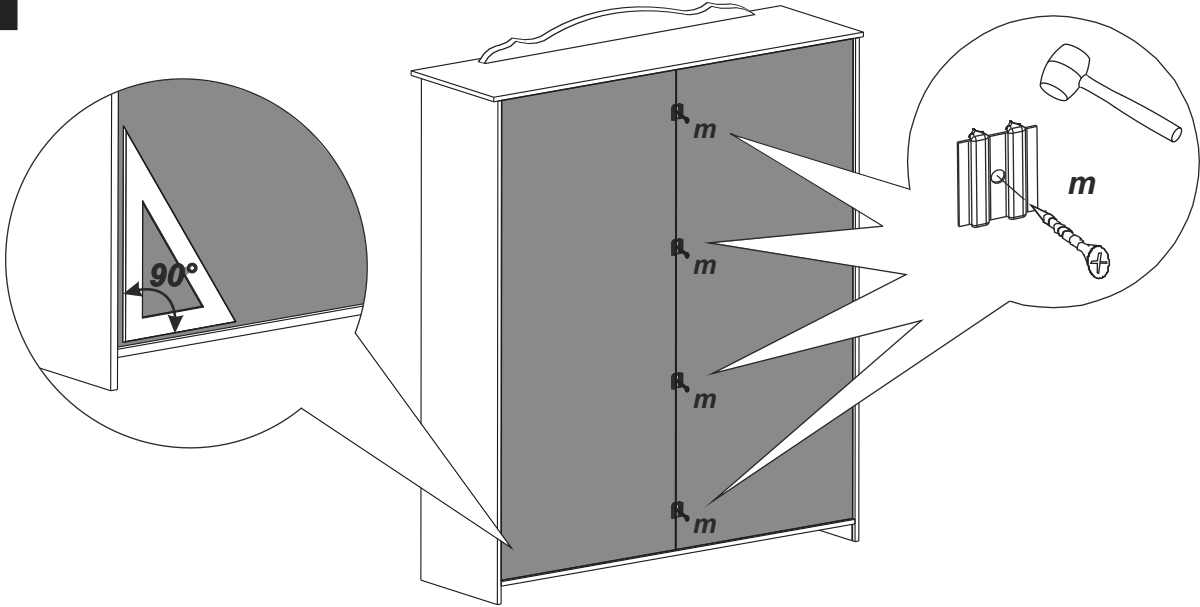


2



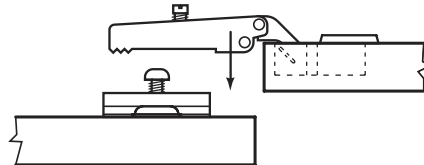
**3****4****5****6****7****8**

9

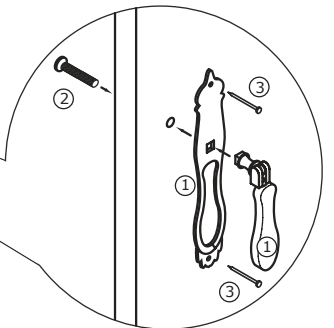
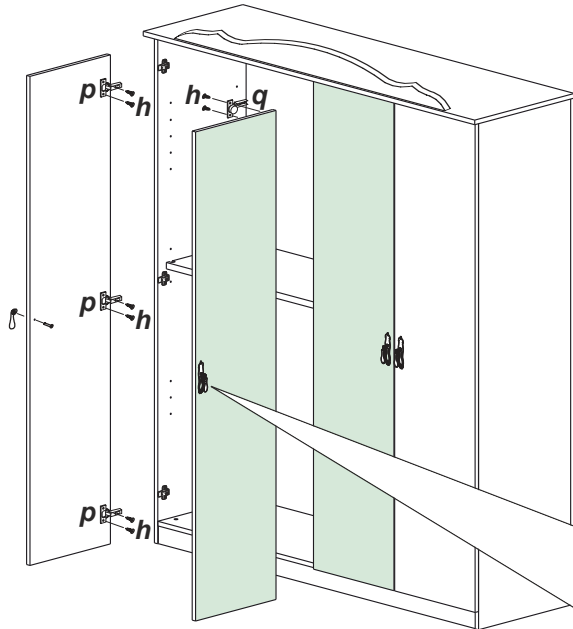
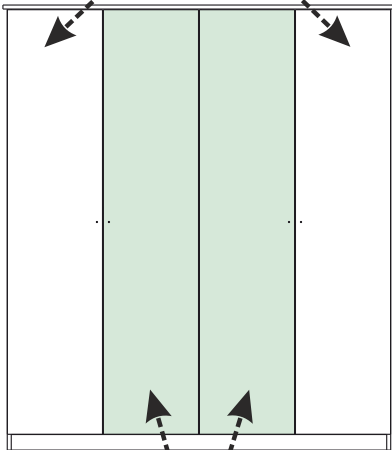
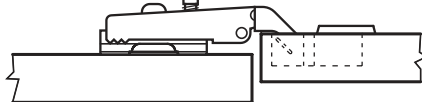


10

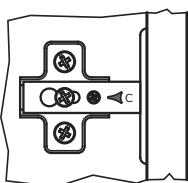
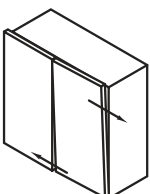
INSERT THE DOOR HINGES OVER THE PLAQUE ALREADY FIXED ON THE SIDE PANELS AND PARTITION



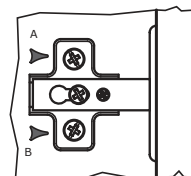
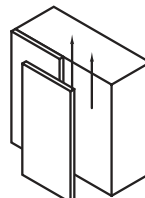
NOW FIX THE HINGES WITH THE SCREW



**DOORS ADJUSTMENT**



**EXAMPLE 1**  
TO ADJUST THE DOORS OPERATE ON THE SPECIAL SCREW (C)



**EXAMPLE 2**  
UNSCREW THE SCREWS (A+B) AND ADJUST THE DOORS IN THE RIGHT POSITION